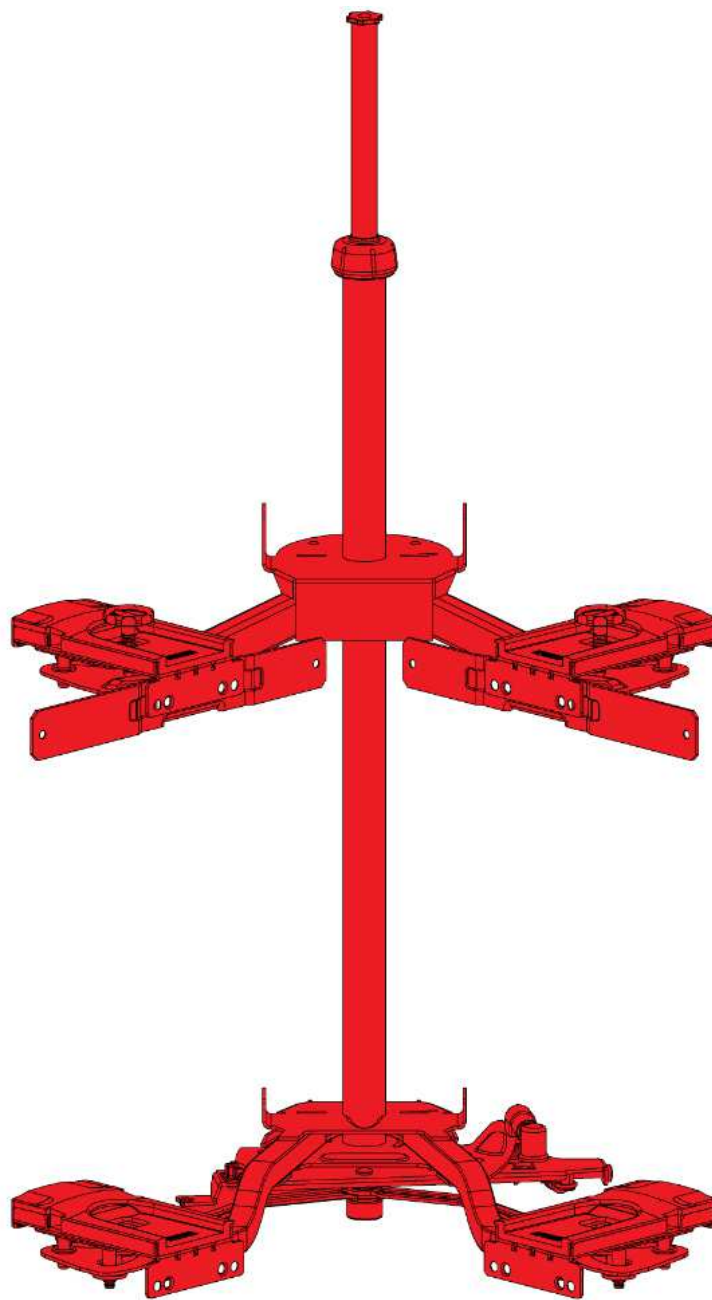


Mounting and Adjustment Instruction for corner carousel fitting *SUZIE*

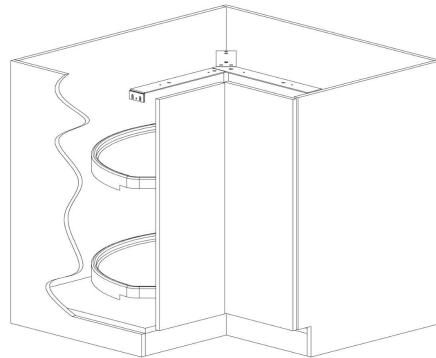


In addition to this general mounting and adjustment instruction you need the fitting specification document, where the individual drilling dimensions for the cabinet bottom, cabinet top, side walls and

cabinet doors are specified. This document indicates also, if you have to do some additional adjustments at the cabinet design. If you don't have it, please contact your Hafele sales rep.

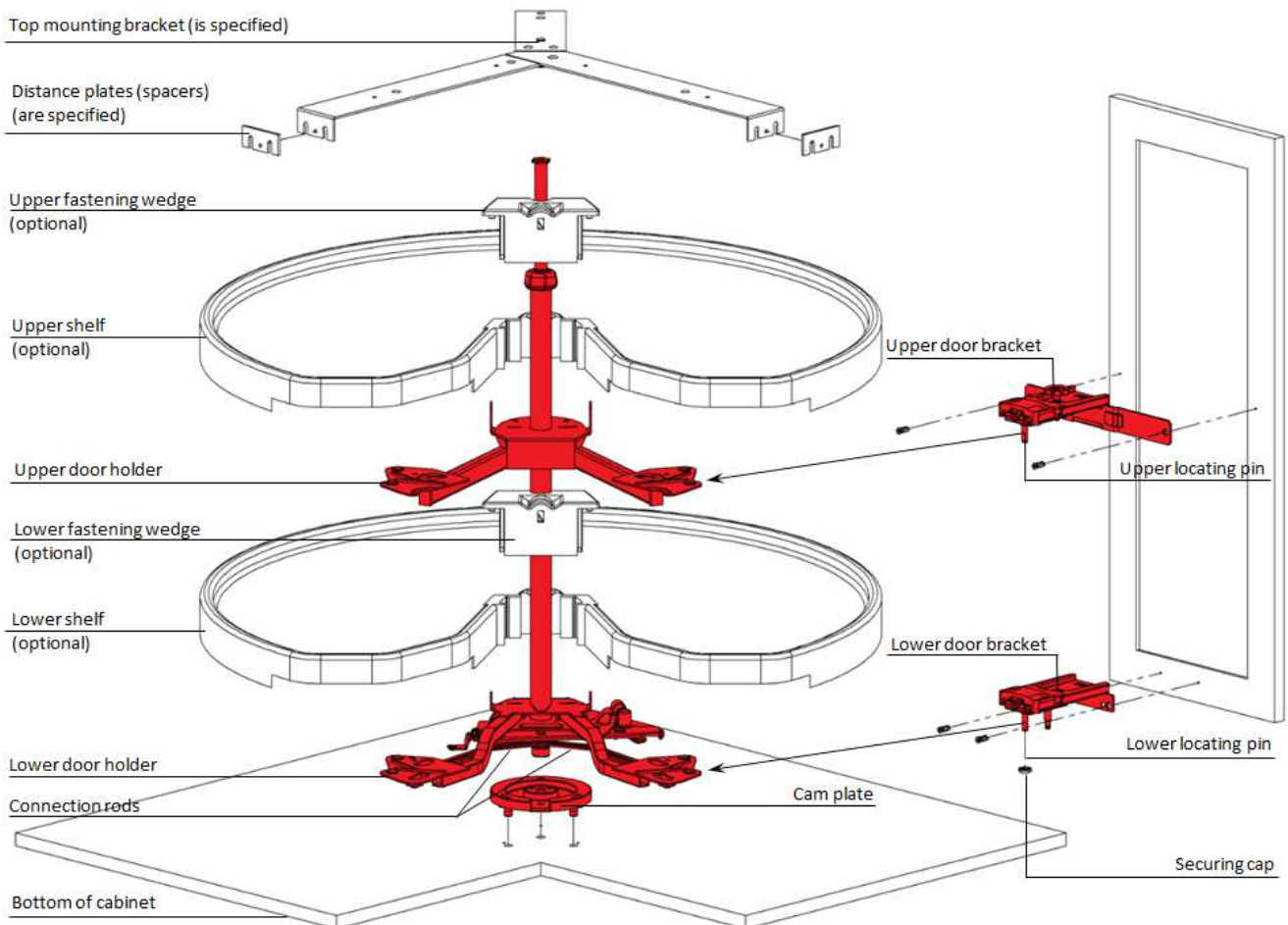
Frameless Cabinets:

The standard specification is including a steel top mounting bracket. In this case the fitting has a door lowering device included, which lowers the door automatically during opening. The door lowering device permits small gaps between the door and the countertop.



Face Frame cabinets:

The standard specification is without a top mounting bracket. The pole bearing is attached to the cabinet top. This way, no lowering device is needed.



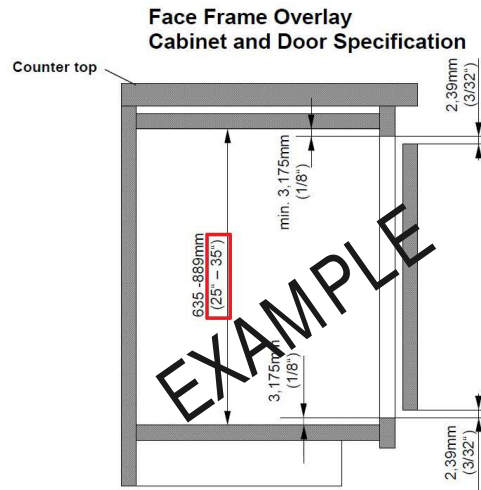
Example shows one shelf option.

1. Preparing cabinet bottom and side wall/cabinet top

Preparing cabinet bottom

Drill three holes into the cabinet bottom according to the illustration included in the fitting specification.

Specification Document



If a top mounting bracket is specified (mainly frameless cabinets) please proceed like this:

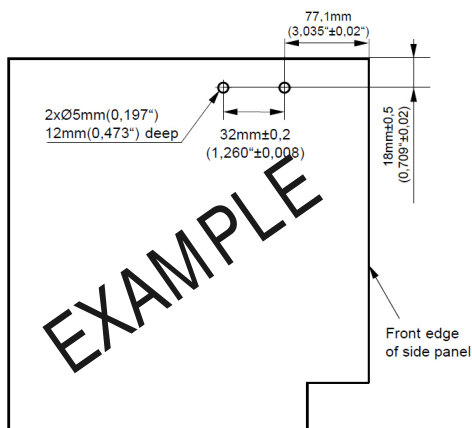
Drill two holes 12 mm deep with 5 mm bit into side walls (see drilling dimensions at fitting specification document).

For cabinets with cabinet top please proceed like this:

Drill one 10 mm hole into the cabinet top according to the illustration included in the fitting specification.

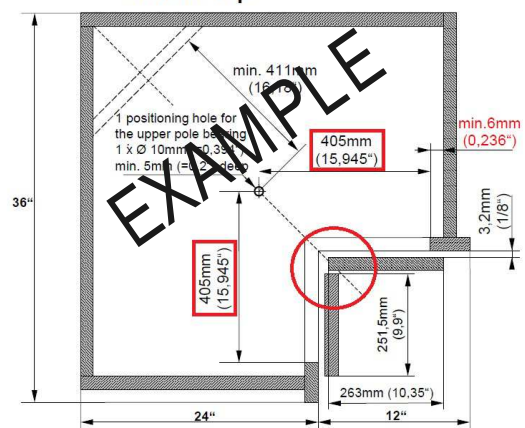
Specification Document

Frameless (european styled)
Side Wall



Specification Document

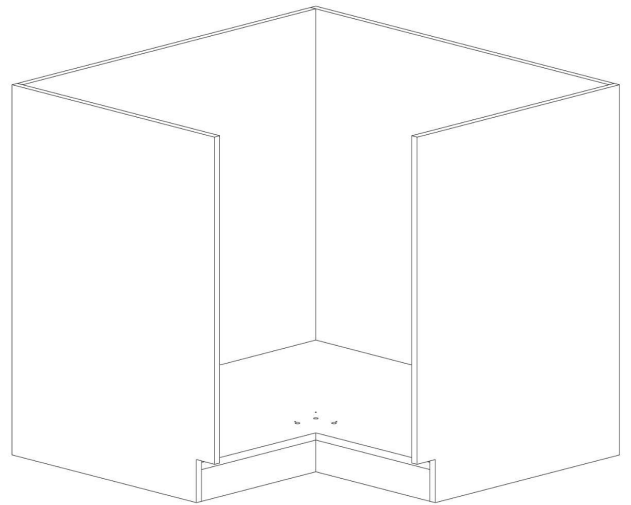
Face Frame Overlay
Cabinet Top



2. Assembling carcass and cam plate

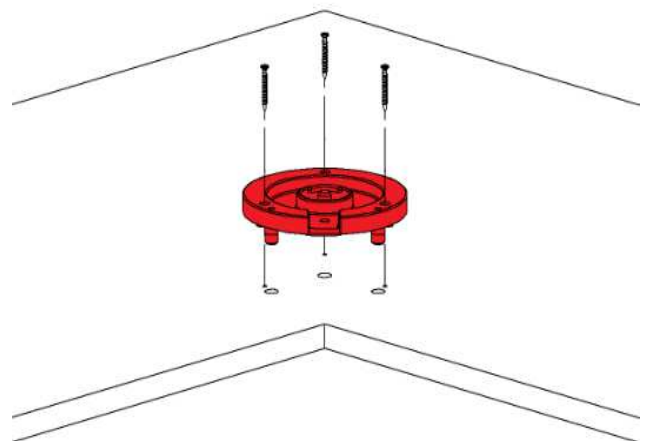
Assembling carcass

After having drilled all holes, assemble the carcass.



Mounting of cam plate

Press the cam plate into the drilled holes in the bottom of cabinet interior and fasten with four 3.5 x 30 mm (#6 x 1 1/8") flat head screws (customer supplied).



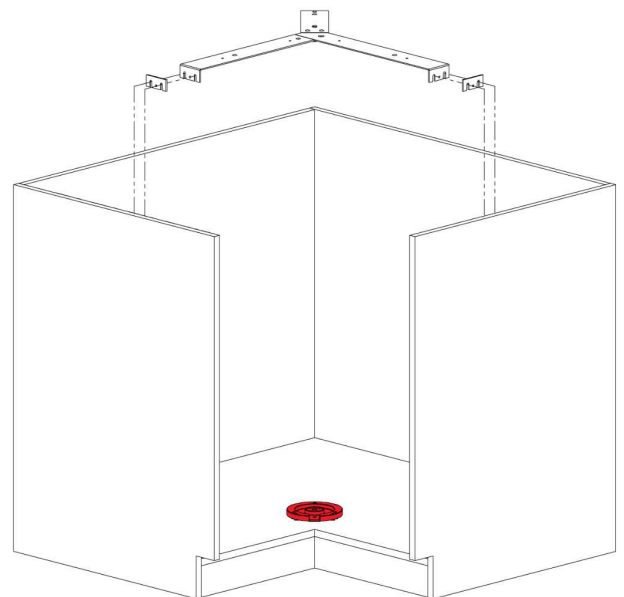
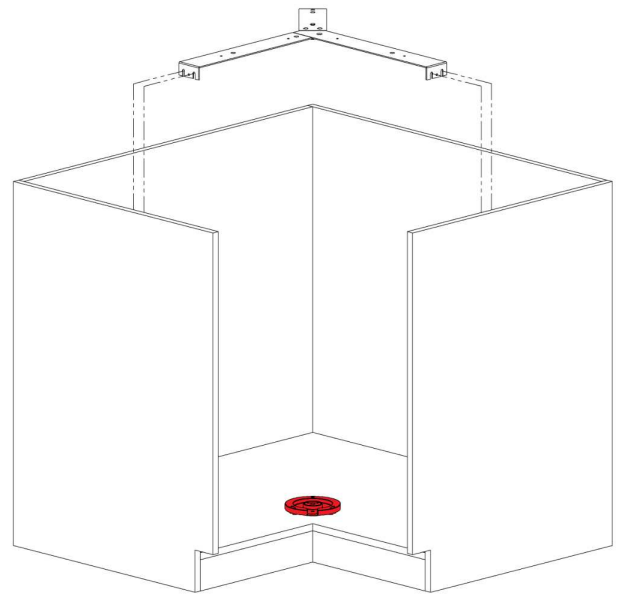
3. Installation of top mounting bracket only if specified

If cabinet has a top, proceed with 4. Installation of fitting, (page 6).
(--> mainly face frame cabinets)

Installation of top mounting bracket is only applicable if cabinet has no top.
(--> mainly frameless cabinets)

Fasten top mounting bracket with 6.2 x 10.5 mm Euro flange head screws (customer supplied).

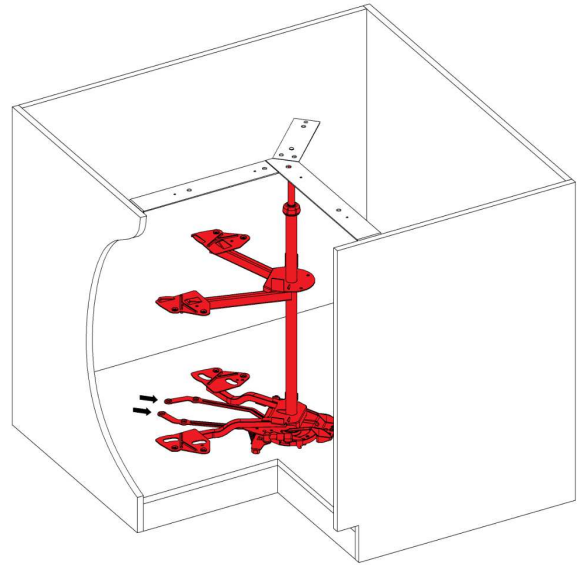
Please refer to your fitting specification document, if you have to use the 3mm spacers. If the spacers are specified, please mount them between the top mounting bracket and the side wall. This assures the correct position of the upper pole bearing.



4. Installation of Fitting

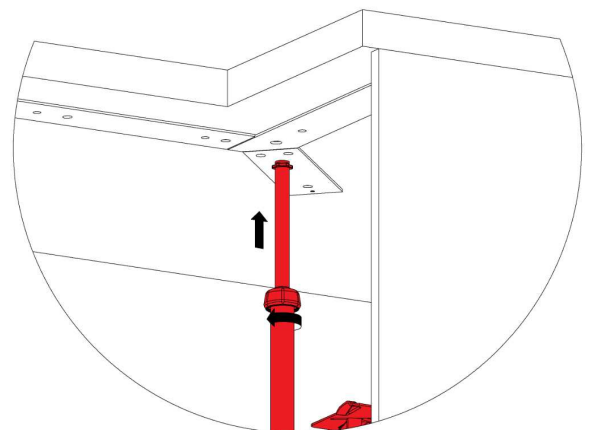
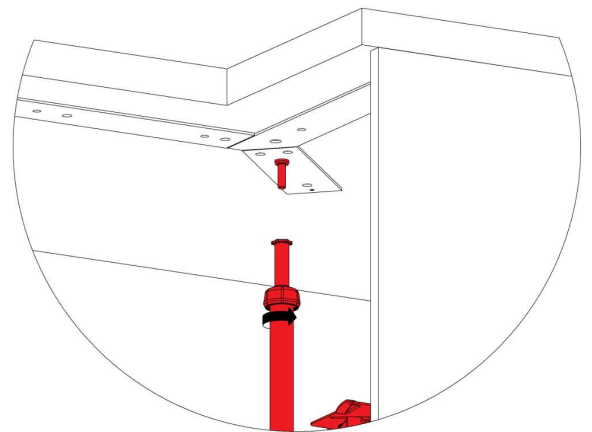
Mounting the pole

Place the pole with the upper pole bearing into the cam plate. Push both connection rods completely to rear while turning the pole approx. 90° to the left until the guide roller is positioned on the outer edge of the cam plate and the axle firmly clicks into position. This prevents lifting of the pole out of the cam plate.



Connecting the upper pole bearing

Now connect the upper pole bearing to either the top mounting bracket (frameless cabinets with specified top mounting bracket) or

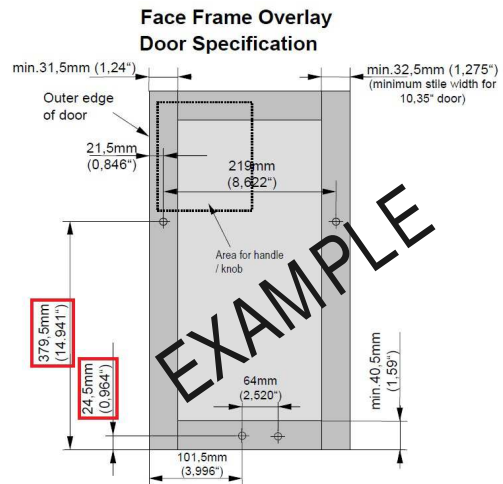


5. Mounting doors

Preparing doors

Drill 4 holes into the doors according to the illustration included in the fitting specification.

Specification Document

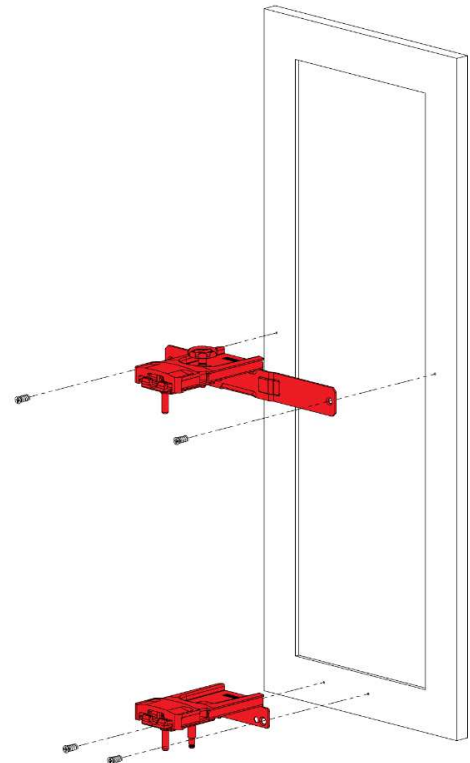


Screwing door brackets onto the doors

Screw first the lower door brackets (unhanded) and then the upper door brackets (left and right!) onto the doors (customer supplied).

You can identify the left and the right upper door bracket, as the upper and lower door brackets have to be vertically aligned at each door.

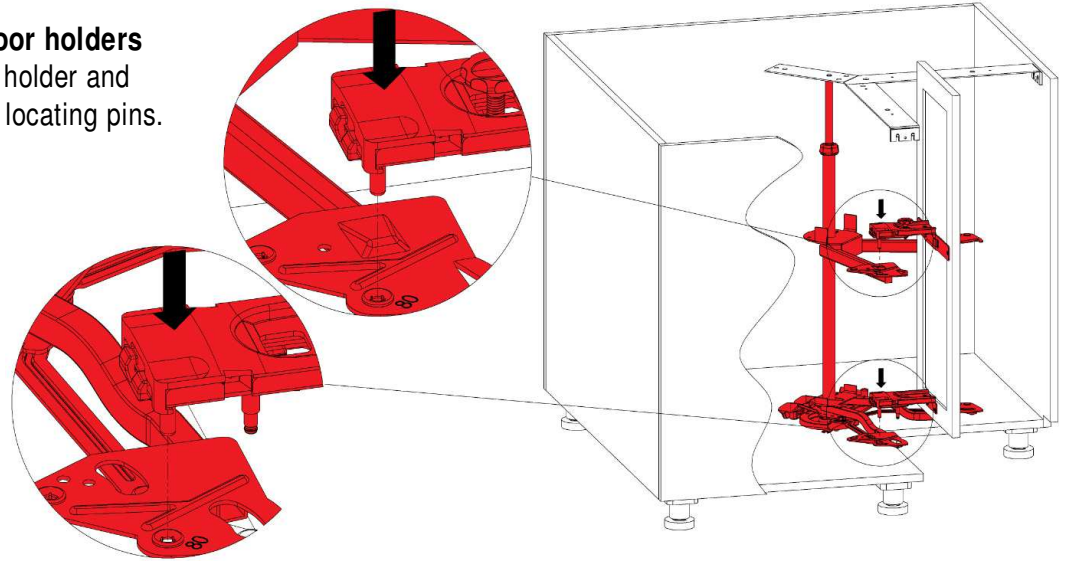
The lower door brackets are the same for left and right side.



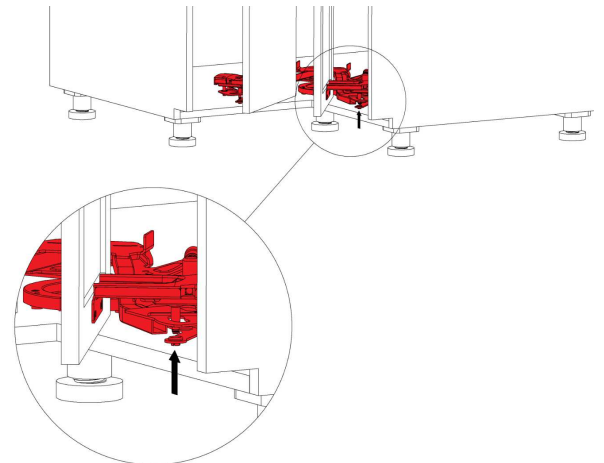
5. Mounting doors

Hanging doors onto the door holders

Hang doors onto upper door holder and lower door holders with the locating pins.



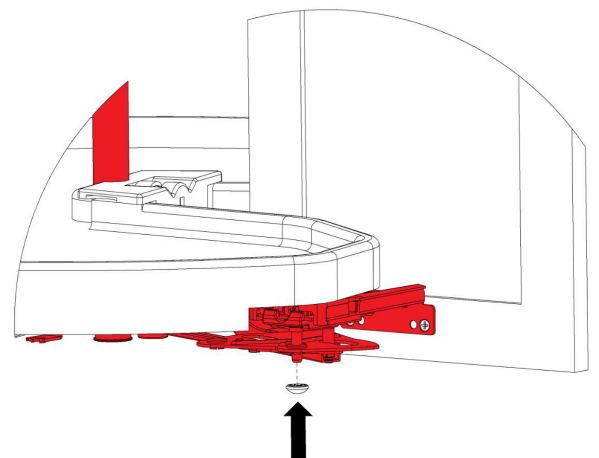
Clip the connecting rods into the bottom door bracket.



Securing the door

To avoid unintended unhinging of the door, attach securing caps onto lower locating pin.

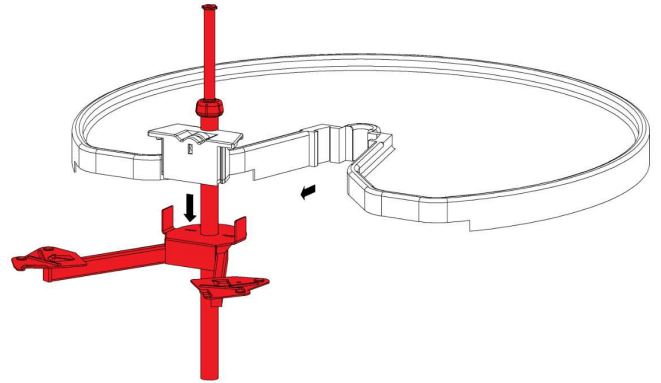
NOTE - Securing caps are permanent.
Install after final adjustment.



6. Mounting shelves / Fixing transport lock

Plastic Shelves, Arena Shelves, Chrome/Wire Shelves or Pro Arc Shelves

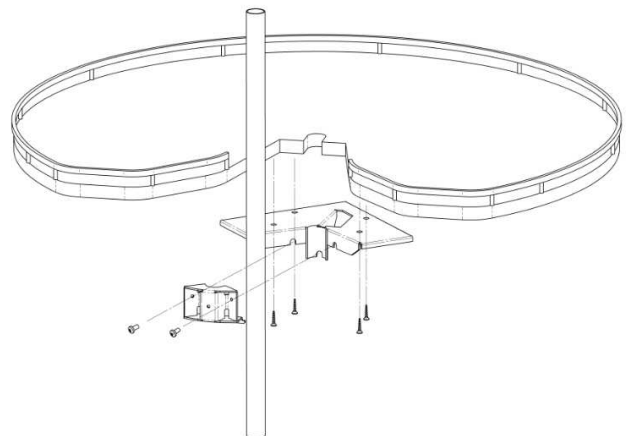
Attach shelves to pole according to the mounting instruction coming with the shelves.



Wooden shelf

If you use your own wooden shelf, you need a shelf support supplied by Hafele (including a shelf drawing).

Fasten the wooden shelves with screws to the supports and attach the support to the pole.



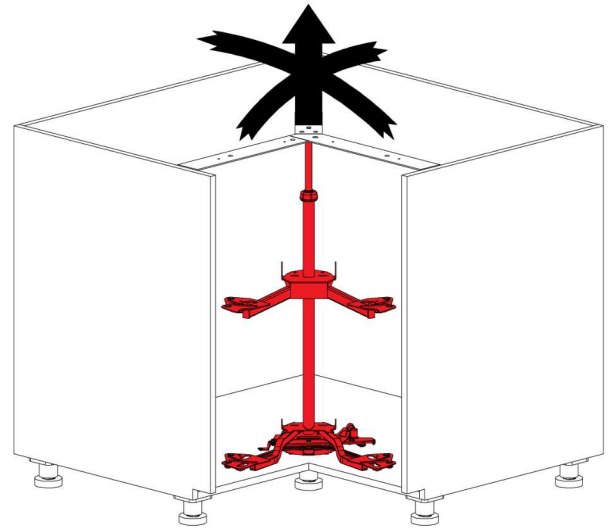
Transport Lock



7. Mounting of support device / Transport notices

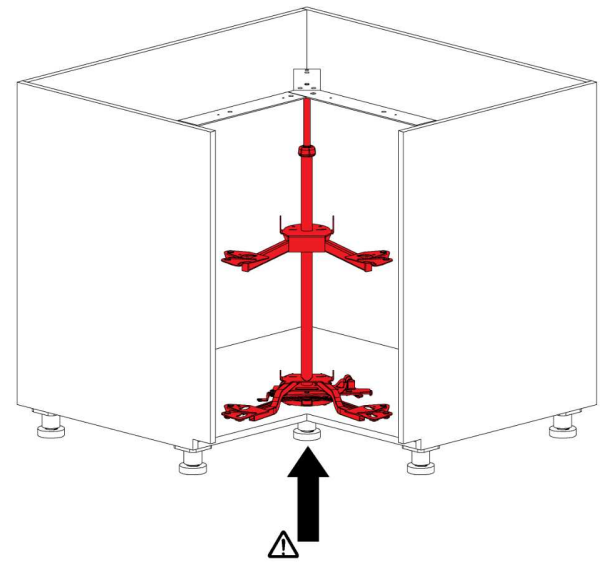
Attention on the top mounting bracket!

If you use a top mounting bracket:
Do not carry the cabinet from the top mounting bracket.
Do not bend the top mounting bracket.
Do not put load on the top mounting bracket
(i.e. do not stack other cabinets on top for transport).



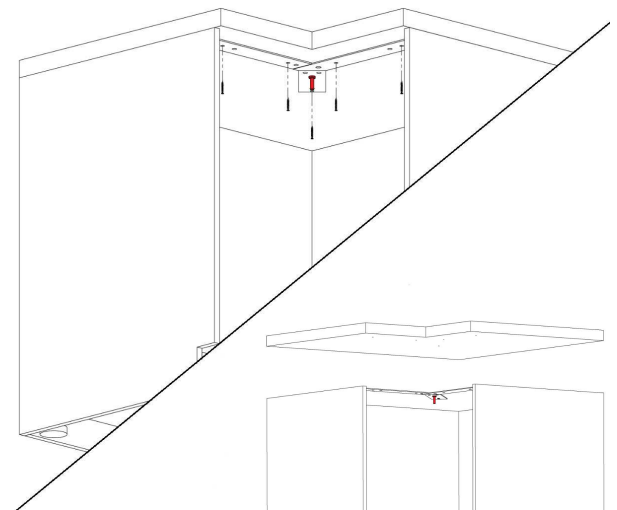
Mounting of support device

Please put a support device (i.e. socket foot, extended toe kick) underneath the cabinet bottom (pole) in order to avoid a sagging of the bottom under the load of the trays, which may cause a malfunction of the fitting.



Screwing the top mounting bracket to the countertop

If you use a granite countertop, use a silicone adhesive (as recommended by countertop supplier) in order to attach the top mounting bracket to the countertop.



8. Adjusting the doors

Adjusting the Doors

The doors can be adjusted independently of each other in all directions. Before making adjustments, make sure the corner cabinet is aligned exactly. If you use adjustable cabinet feet, special attention

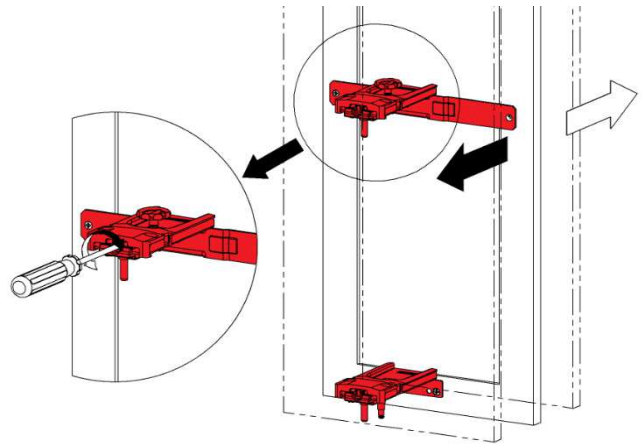
1. Depth adjustment

Depth adjustment – aligns the doors plumb to cabinet face.

should be paid to adjusting the middle foot for support of the pole weight.

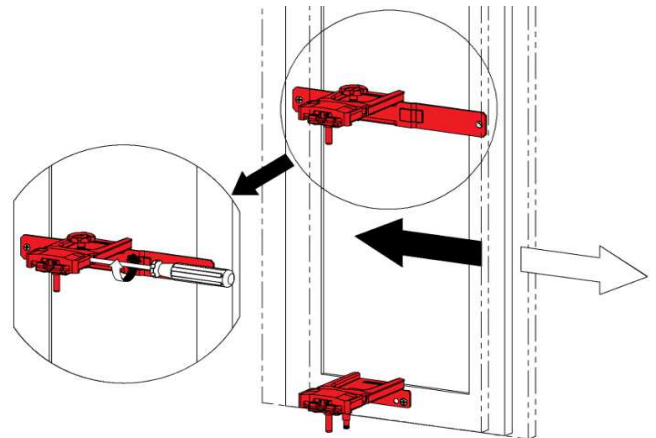
When adjusting, first correctly align the right door following the steps illustrated below.

Then adjust the left door in the same sequence.



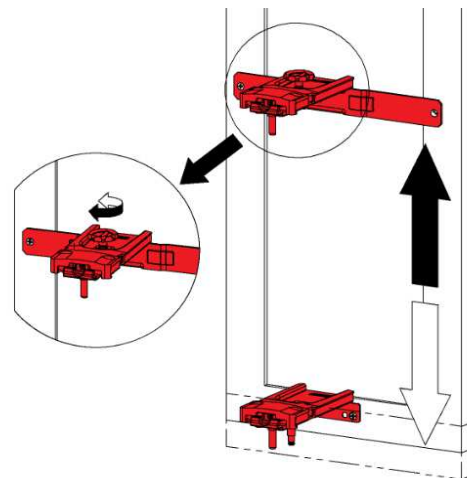
2. Side adjustment

Side adjustment: adjusts the door overlay



3. Height adjustment

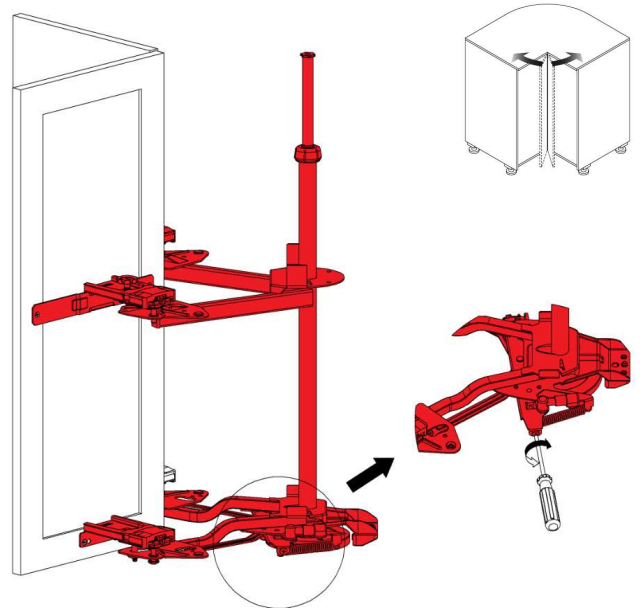
Height adjustment: adjusts the distance between the door and the countertop



Adjusting closing speed of doors

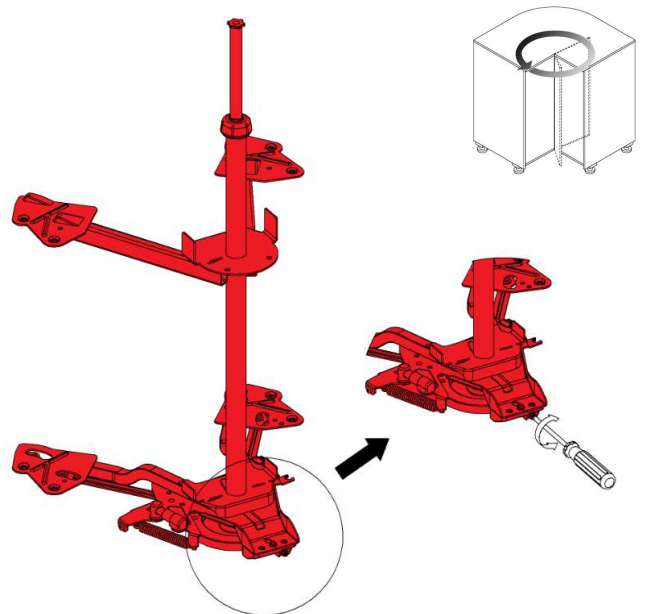
Closing Speed of Doors:

You can adjust the closing speed of the doors without removing the fitting. Turn adjustment screw clockwise for quicker door-closing. For slower door-closing, turn adjustment screw counterclockwise.



Damping of rotation speed:

You can adjust the damping of rotation speed without removing the fitting. Turn adjustment screw clockwise for quicker door-closing. For slower door-closing, turn adjustment screw counterclockwise.



1-800-423-3531
Fax:336-431-3831

Häfele America Co. • 3901 Cheyenne Dr. • Archdale, NC 27263 • USA